

Ribbon Shredder

for **Security Assurance**

Security Assurance

Protecting personal information is paramount and IDP SMART-BIT shredder is specially designed to ensure the secure destruction of used ID Card Printer Ribbon with personal information.

Complete Shredding

*** Twisted Micro-Cut Technology**

With the IDP's Twisted Micro-Cut Technology (Patent pending), SMART-BIT uses unique twist and cut motions to completely shred ID Card Printer ribbon panels into tiny unrecognizable particles.

Flexible Card Printer Ribbon Compatibility

The SMART-BIT is designed to accommodate the industry's popular brands of direct-to-card printer ribbons.

Compact Easy-to-use Design

SMART-BIT is compact and light weight in design and will easily fit into any office desktop environment. The SMART-BIT's waste bag will ensure complete capture of ribbon particles and simple transfer to a waste bin.



smartBIT

Complete Shredding



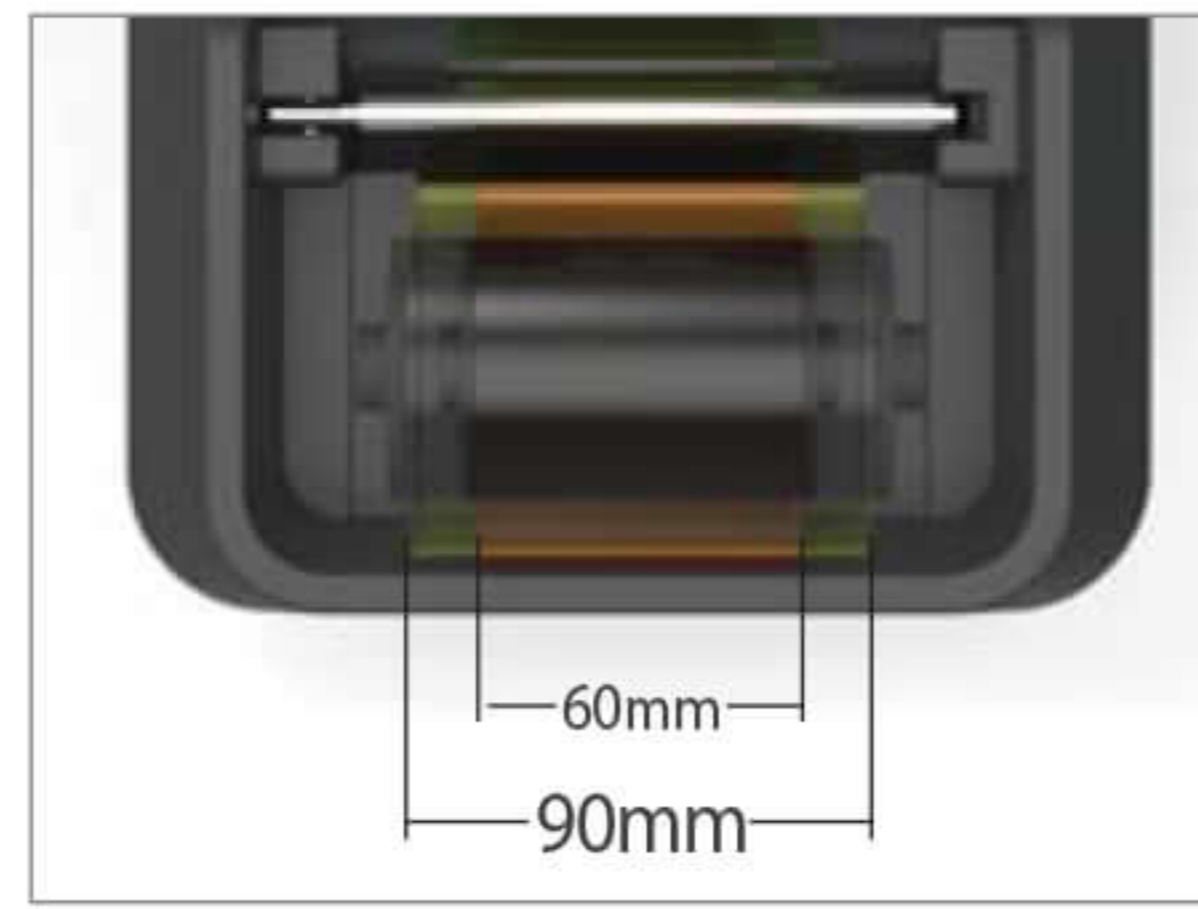
With the IDP's Twisted Micro-Cut Technology, SMART-BIT uses its unique twist and cut motions to completely shred ribbon panels into tiny particles. (*Patent)

Easy-to-use



Easy to use interface and shredded ribbons can be easily discarded using the SMART-BIT Waste Bag when full.

Flexible Ribbon Compatibility



The SMART-BIT will accommodate the industry's popular brands of direct-to-card desktop printer ribbons.

Compact Design



The SMART-BIT is simple to use and has a compact size and light weight design that can easily fit into any office desktop environment.

Specifications

Shredable Ribbon Type	Dye-Sublimation Ribbon, Resin & Wax Ribbon
Shredable Ribbon Width	60mm to 90mm (Installable Ribbon Core Width : Max. 120mm)
Installable Ribbon Diameter	Max. Ø80
Shredding Speed	Max. 12 meters/minute
Shredder Bin Capacity	6 Rolls (YMCKO, 250 cards/roll)
Cutting Type	Twisted Micro Cut *Patent
Shredded Particle Size	Approx. 2.5mm
Control	Speed (Normal or Fast mode), Start & Stop, Reverse
Auto Stop	Finished Shredding, Ribbon Jam
Interface	4 LEDs, 3 Buttons
Warranty	Approx. 100 km
Power Consumption	DC 24V, 2A
Temperature / Humidity	15~35°C / 35~70%
Dimensions (W x H x L) Weight	232 x 364.6 x 386 mm / 9.1 x 14.4 x 15.2 inch Approx. 4.8 kg / 10.6 lbs

Accessories

- Dust Bag : 5ea / 1 Pack
- Large Waste Bin : Frame, Large Dust Bag (20ea / 1 Pack)
- Large Dust Bag : 20ea / 1 Pack (70 Liter)

Dimensions

