

ProxKey® III

Proximity Key Fob • 1346

125 kHz Proximity



ACCESS reliability.

Application

The RF-programmable ProxKey® III proximity key fob incorporates proximity technology into a convenient device approximately the size of an automotive key.

Features

- ▶ Improved key fob design provides additional durability and more opportunity for customization.
- ▶ Offers universal compatibility with all HID proximity readers.
- ▶ Provides an external number for easy identification and control.
- ▶ Can be placed on a key ring for convenient entry.
- ▶ Supports formats up to 85 bits, with over 137 billion codes.
- ▶ Using HID's ProxProgrammer™, card vendors can ship proximity key fobs, custom programmed to their customers' requirements, from their own inventory. Enables smaller order quantities and overnight delivery. (Check with vendor for availability.)

Features

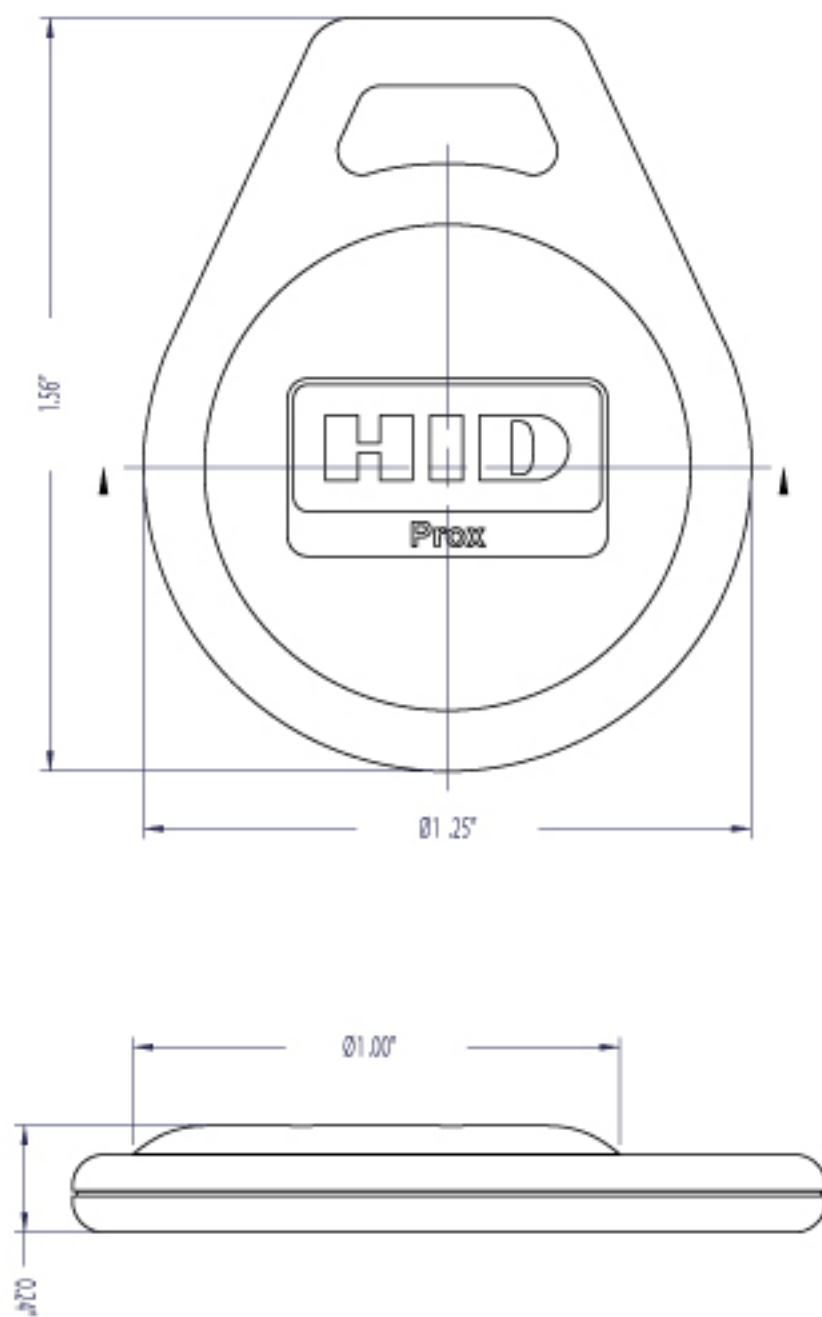
Proven, Reliable Technology Offers extremely consistent read range. Unaffected by body shielding or variable environmental conditions, even when close to keys and coins.

Small and Convenient Can be carried with keys in pocket or handbag.

Cross-reference A cross-reference list correlating the external card number and the programmed ID number is provided for easy system administration.

Security Offers over 137 billion unique codes.

Long Life Passive, no-battery design allows for an infinite number of reads.



Base Part Number	1346
Description	RF-programmable, 125 kHz, black with grey insert, customer-specified ID Numbers
*Typical Maximum Read Range	ProxPoint® Plus reader up to 1.5" (3.7 cm) MiniProx™ reader up to 2" (5 cm) ThinLine® II reader up to 2" (5 cm) ProxPro® reader up to 3" (7.5 cm) ProxPro® II reader up to 4" (10.2 cm) Prox80™ up to 2" (5.1 cm) MaxiProx® reader up to 12" (28 cm)
Dimensions	1.555 x 1.25 x 0.235 inches max (3.95 x 3.18 x 0.60 cm)
Key Fob Construction	Ultrasonically welded ABS Shell with TPE insert
Operating Temperature	-50° to 160° F (-45° to 70° C)
Weight	0.14 oz (4.0g)
Memory Size/ Application Areas	N/A
HID Proximity 125 kHz	Yes
Contact Smart Chip Module Embeddable	No
Wiegand Stripe	No
Magnetic Stripe	No
Printable	No
Standard HID Artwork	Yes
Slot Punch	Key Ring Hole
Visual Security Options	N/A
Additional Security Options	Corporate 1000
Warranty	Lifetime
Options	Key Ring sold separately (Part Number: 57-0001-02) External card numbering (inkjet or laser engraving)

*Dependent on local installation conditions.

© 2010 HID Global. All rights reserved. HID, and the HID logo are trademarks or registered trademarks of HID Global in the U.S. and/or other countries. All other trademarks, service marks, and product or service names are trademarks or registered trademarks of their respective owners. Rev. 4/2010



For best results, please print on recycled paper.

MKT-PROXKEYii_DS_EN